

GC17 Two Way Deep Dish Paddle Latch System

Features

- Paddle case has an integral 2-way mechanism, allowing it to be used for slam systems on larger doors, fitted vertically or horizontally
- Order as centre units only, or full sets as illustrated
- Deep dish (30 mm) with internal fingershield and beaded edge on flap for easy operation. Stainless locking bolts slides on carrier, giving protection against flap being forced. Low-profile lock with double-sided key cylinder as standard.
- Latches slam against sides of door frame or strikers, released by lifting flap
- Locking with key blocks flap, but end latches are still free to operate using 'free movement' aperture in link bar
- Pierced rim, internal welded studs, or plain rim with mild steel models (for weld-on fixing)
- Gasket supplied

Material (of centre case only)

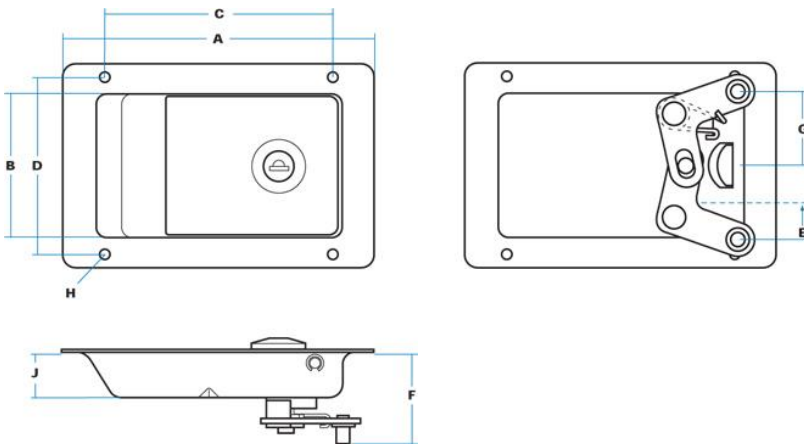
- Stainless steel models: Stainless steel 304, mirror finish
- Steel models: Mild steel, zinc plated

Notes

- Contact Gripwell sales for end latches selection (**GD9 Series**) or for blind-mounting / stud-fixing models

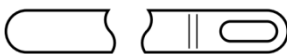


GC17-G02239
(Two way full set, using stainless steel centre case, end latches and links)



The 2-way linkage arms and rivets are made in stainless steel. The linkage bars are retained by cotter pin and washers provided.

Part No.	Material	Rim	Type	Key	A	B	C	D	E	F	G	H	J
GC17-G02238	Stainless Steel	Pierced	Centre Case Only	Standard	170	110	100	99	15	50	47	7	30
GC17-G02238-01				FT111									
GC17-G02236				Non-Locking									
GC17-G02239			Complete System	Standard									
GC17-G02239-01				FT111									
GC17-G02237				Non-Locking									
GC17-G02248	Mild Steel	Plain	Centre Case Only	Standard									
GC17-G02248-01				FT111									
GC17-G02246				Non-Locking									
GC17-G02249			Complete System	Standard									
GC17-G02249-01				FT111									
GC17-G02247				Non-Locking									



Standard linkage bar G12497 (915 mm) used for 2-way slam system. Piercing allows 'quick fit' attachment of latches and free movement when centre is locked.